

# LUX S10



OPTION TO CONNECT THE UNITS IN SERIES  
TO AN EXTERNAL POWER SOURCE



VERTICAL TELESCOPIC MAST  
MAX HEIGHT | 4.5 m  
PNEUMATIC LIFTING SYSTEM



LED FLOODLIGHTS | 6X50 W  
ILLUMINATED AREA | 1900 m<sup>2</sup>



TILTABLE FLOODLIGHTS  
MAST ROTATION



OUTLET SOCKET | 16 A - 230 V  
INLET PLUG | 16 A - 230 V



INDOOR AND OUTDOOR USE  
EASY STORE & HANDLING  
COMPACT DESIGN



GALVANIZED METAL BODY  
80 µm POWDER COATING



3 TELESCOPIC  
STABILIZERS

LC SERIES



MADE IN  
ITALY



LUXTOWER   
lighting towers

# LC Series LUX S10

## TECHNICAL DATA

### Rough dimensions & weight

Dimensions min.	mm	403 X 403 X 1440
Dimensions max.	mm	2372 X 2058 X 4300
Total weight	Kg	83

### Features

Rotation		360°
Floodlight	W	6 X 50 W
Lamps		LED
Inlet plug	A/V	16 /230
Outlet socket	A/V	16 /230
Wind stability	Km/h	110
IP level		65
Operating temperature	C°	-30° to +45°



**NO FUEL COSTS**



**NO EMISSIONS**



**NO NOISE EMISSIONS**



**NO MAINTENANCE**



MAX 10



Up to **10 LUX S10** can be connected in series to an external power source such as **4KW generator** or **main**

\*according with rated output and electric specs

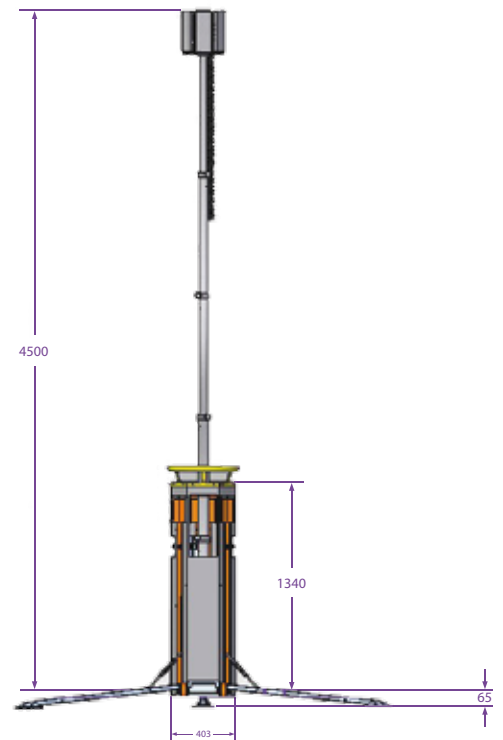
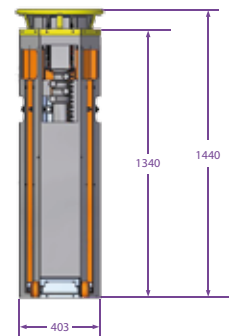
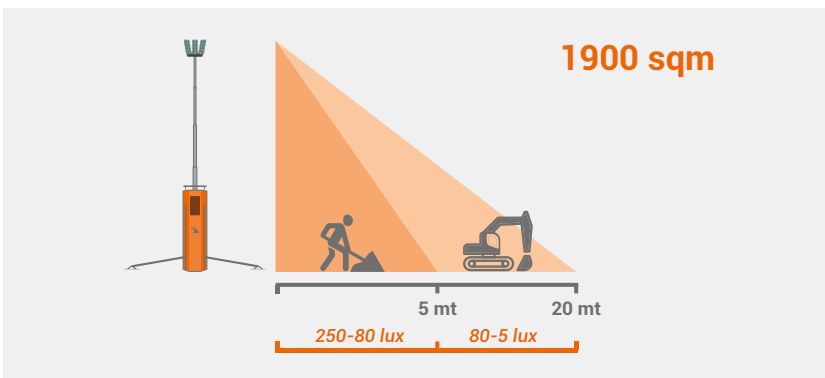


MAX 6



Up to **6 LUX S10** can be connected in series to a lighting tower with **3.5 kVA outlet socket**

### Illuminated Area // 5 lux min



**LUXTOWER**  
lighting towers

Luxtower: Via Strada Nuova, 28 - 27050 Codevilla (PV) ITALY | TLF. +39 0383 365544 | Fax +39 0383 49702

LUXTOWER ongoing policy is in continuous improvement. The company reserves the right to modify the technical specifications and items described in this catalogue at any time and without notice for technical or commercial reasons. Product images are shown for information only LUXTOWER® - 2016© All rights reserved.